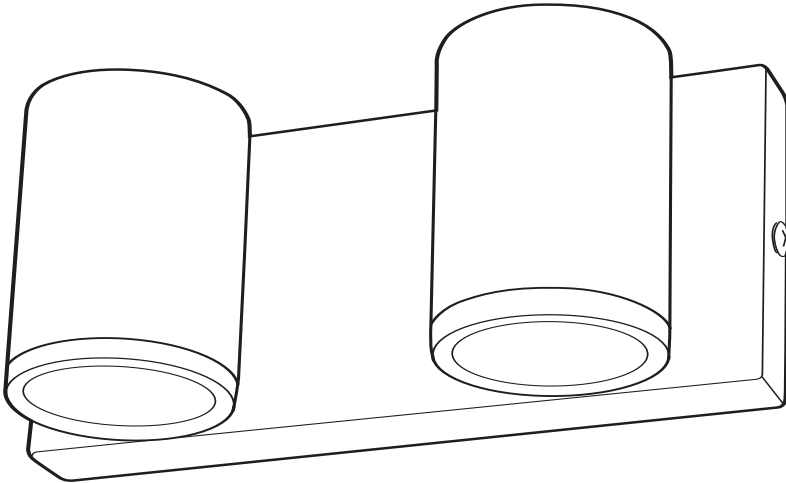




Commercial  
Electric

## 32 LED INTERIOR WALL LIGHT

**MANUAL** – MODEL NO. CELED240ILC



**2 YEAR**  
Replacement  
Warranty



5124

### OPERATING INSTRUCTIONS

Please read the operating instructions carefully prior to use. Please retain the instructions in a safe place for future reference.

# INTRODUCTION

---

Congratulations on the purchase of your new Commercial Electric LED Interior Light.

Before first using, it is most important that you read and follow the instructions in this manual, even if you feel you are quite familiar with this type of product.

Your attention is drawn particularly to the section dealing with “IMPORTANT SAFEGUARDS”. Find a place and keep this booklet handy for future reference.

## SPECIFICATIONS

---

Model no.:	CELED240ILC
Input:	240 Volt AC
Individual LED power consumption:	0.06W
LED's:	32
Overall power consumption:	2.1W
Waterproof rating:	IP20
Protection class:	I
Stainless steel rating:	304

## SAFETY INSTRUCTIONS

---

**Warning!** When using mains-powered equipment, precautions including the following should always be followed to reduce the risk of fire, electrical shock, personal injury and material damage.

Read the whole manual carefully and make sure you read and understand the operating instructions prior to use.

Save these instructions for future reference.

## GENERAL SAFETY RULES

---

- Any alterations or additions to building wiring, must be completed by a licensed electrician, or person authorised by legislation to work on the fixed wiring of any electrical installation.
- To prevent electric shock, please ensure that power is disconnected before installing.
- Don't touch the enclosure of the lamp when it is in use. Do the cleaning when the lamps is cool.
- Ensure the lamp are free of objects, dust build up, moisture etc. Make sure there are no objects in direct contact with the lamp.
- The appliance is not intended for use by children or infirm persons without supervision.
- Children should be supervised to ensure that they do not play with the appliance.
- This unit must be connected to a 220v ~ 240v 50Hz power source.
- For indoor use only.
- The lamp is for wall mounting. The mounting direction is horizontal direction and the LED's light down.
- The installation wiring must be  $3 \times 0.75\text{mm}^2$  at least.(The earth wiring must be well connected.)
- If the lamp can not work normally, cut off the power first and then check whether the installation wiring is properly installed.

### COMPULSORY WARNING

**Note:** No user serviceable parts inside. The LED's in the light can not be replaced. Unauthorised modification voids warranty. Return to place of purchase for replacement or service under warranty.

# INSTALLATION

**Note:** It is illegal for persons other than licensed electricians, or persons authorised by legislation to work on fixed wiring of any electrical installation. The following installations steps should only be performed by licensed electricians, or persons authorised by legislation.

## STEP 1.

- Loose the screws to open the fitting.
- Position mounting bracket against the wall and mark the positions for the screws.

## STEP 2.

- Using a power drill, drill into the wall to provide a suitable mounting for the screws. Care should be Taken to avoid drilling or screwing into concealed electrical cables.
- For solid brick walls, we suggest that screws and masonry plugs are used.
- Make a hole of suitable size through cable entries. (The cable entries should have smoothly rounded edges.)
- Fix the mounting bracket to the wall, feeding the supply cable through far enough to allow connection.

## STEP 3.

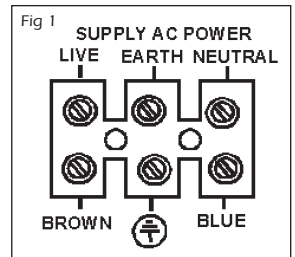
- Wire the fitting in accordance with AS/NZS 3000. (see WIRING Instructions)
- Install wiring through the cord anchorage.
- Check all wiring connections, ensure all connections have been tightened securely.

## STEP 4.

- Ensure wires do not obstruct the mounting screws.
- Attach the fitting to the mounting bracket with the two screws and washers.

# WIRING

1. Feed the cable through the cable entries on the back mounting box and then feed the cable through cord anchorage and properly screw the cord anchorage to avoid abrasion to the cable.
2. Connect the earth wire to the connector opposite the green/yellow cable. (See Fig. 1)
3. Connect the live wire (red phase conductor) to the connector opposite the brown cable.
4. Connect the black neutral conductor to the connector opposite the blue cable.
5. Check that all the connections are correct and tightly secured.



# CLEANING

- Before cleaning, ensure the power is disconnected and allow to cool before commencing.
- Care must be taken while cleaning to avoid scratching the fitting. A soft clamp cloth, or a fine hair brush should be used with a non-abrasive cleaner.
- DO NOT use solvents, or abrasive cleaners on any part of your wall light.

# CONTENTS

1 x LED Interior Wall Light CELED240ILC  
2 x Masoury plugs

2 x Screws

## PRODUCT WARRANTY

### 2 YEAR REPLACEMENT WARRANTY

Your Commercial Electric product is covered for a Period of 24 months from the **ORIGINAL Date of purchase.**

The Warranty covers faulty parts or workmanship.

The warranty is only made available by returning the product to your point of purchase with a **confirmed cash register receipt.**

PURCHASED FROM:

\_\_\_\_\_

DATE OF PURCHASE:

\_\_\_\_\_

**THIS WARRANTY FORM SHOULD BE RETAINED BY THE CUSTOMER AT ALL TIMES.**

### WARNING

**The following actions will result in the warranty being void:**

- If the product has been operated on a supply voltage other than that specified on the unit.
- If the product shows signs of damage or defects caused by or resulting from abuse, accidents or alterations.
- If the product has been disassembled or tampered with in any way.

**Note:** Warranty excludes consumable parts such as tubes, globes, batteries and all accessories.

**YOUR WARRANTY FORM SHOULD BE RETAINED BY YOU AT ALL TIMES.**

**SHOULD YOU HAVE ANY QUESTIONS PRIOR TO RETURNING YOUR PRODUCT FOR WARRANTY OR REPAIR PLEASE TELEPHONE OUR CUSTOMER SERVICE HELPLINE:**

**Australia 1800 069 486  
New Zealand 0508 069 486**

TO ENSURE A SPEEDY RESPONSE PLEASE HAVE THE MODEL NUMBER AND DATE OF PURCHASE AVAILABLE. A CUSTOMER SERVICE REPRESENTATIVE WILL TAKE YOUR CALL AND ANSWER ANY QUESTIONS YOU MAY HAVE RELATING TO THE WARRANTY POLICY OR PROCEDURE.

### Commercial Electric

5 Chestnut Crt, Dingley, Vic, Australia, 3172

Telephone: 03 9558 3999

Facsimile: 03 9558 0583

[www.commercialelectric.com.au](http://www.commercialelectric.com.au)