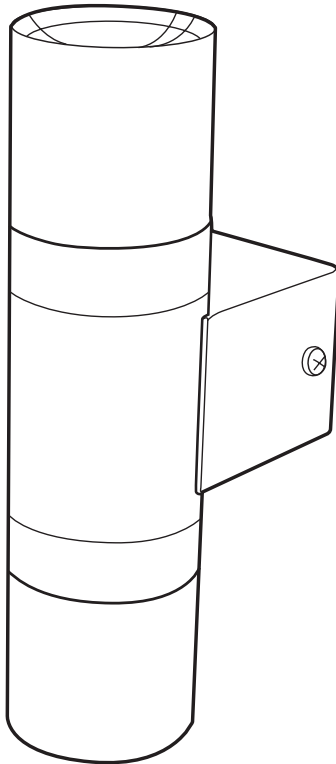




**Commercial
Electric**

LOW VOLTAGE LED OUTDOOR LIGHT

MANUAL – MODEL NO. CELED12WLB



2 YEAR
Replacement
Warranty

OPERATING INSTRUCTIONS

Please read the operating instructions carefully prior to use. Please retain the instructions in a safe place for future reference.

INTRODUCTION

Congratulations on purchasing the Commercial Electric Low Voltage LED Light. We aim to provide quality lights at an affordable price. Although this light has been designed for easy DIY installations, it is most important that you read and follow the instructions in this manual, even if you feel you are quite familiar with this type of product.

Your attention is particularly drawn to the section dealing with “SAFETY INSTRUCTIONS”. Find a place and keep this manual on hand for future reference.

SPECIFICATIONS

Model no.:	CELED12WLB
Input:	12V Low voltage
Individual bulb power consumption:	0.08W
LED's:	12 White LED's per head (2 x 12 heads = 24 LED's)
Overall power consumption:	2.0W
Waterproof rating:	IP44
Glass:	Crystal
Stainless steel rating:	304

SAFETY INSTRUCTIONS

IMPORTANT! DO NOT CONNECT THIS FITTING DIRECTLY WITH MAINS POWER (240V AC). IT IS ONLY DESIGNED FOR 12V LOW VOLTAGE.

Your LED light is designed for use with an AC transformer. A transformer is used to lower mains voltage so that you can safely and legally wire them yourself.

INSTALLATION

To power your new low voltage LED light you will require cable and a suitable transformer.

Choose a suitable 12V transformer

The light's overall power consumption is rated at 2 Watts. You may connect multiple lights up to one transformer but ensure that the transformer can power the combined wattage consumption of the lights.

To determine the size of the transformer required for your garden lighting, simply multiply the number of lights you have by the wattage of each light.

Eg. If you wish to power 8 of the CELED12WLB lights you will require a transformer that is rated at no less than 16 Watts ($8 \times 2W = 16Watts$).

Cable/cables

You will require a suitable length of 12V low voltage cable.

Connecting the light to the cable

1. Prior to mounting the light, first set up and observe the lighting effectiveness in the dark. You may wish to adjust your intended mounting position to create the effect you desire.
2. Place the lights in the approximate position you wish for them to be mounted.
3. Lay out the cable to where you desire the lights to be located. Remember to leave sufficient cable to reach the transformer (near a powerpoint).
4. Connect the end of the cable to the transformer (follow the transformer manufacturer instructions for connecting the cable).

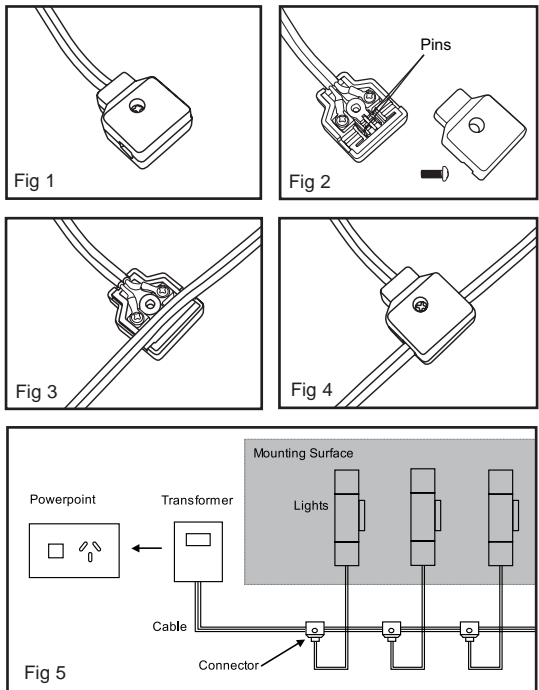
INSTALLATION(CONT.)

Follow the below steps to connect the light to the cable. Prior to fitting the lights to the cable, disconnect the transformer from the powerpoint. If you are connecting multiple lights start with the light that will be positioned furthest away from the transformer.

- A. Coming out of the rear of the light is a cable with the connector attached to the end. This connector (fig. 1) is designed to make an electrical connection by piercing the insulation cable with two pins and secures the cable in place with the cover.
- B. Remove the screw and cover (fig. 2), note the two raised pins.
- C. Lay the cable over the top of the two pins ensuring both pins align with each opposite side of the cable (one pin per cable side). Push the cable down to pierce the pins through the cable insulation (fig. 3).

Note: There is no correct side of the cable to connect to, that is, there is no prescribed positive or negative that needs to be matched at each light.

- D. Place the connector cover back on, and push down on the cable ensuring the two pins have pierced through the insulation and makes contact with the wires with in. Secure the cover in place by tightening the screw (see fig. 4).
- E. Connect the transformer to the powerpoint (fig. 5). and switch on to see if the connections are working.



If your installation includes multiple lights, CE strongly recommends that cable lengths should be limited to 20 metres or heavier duty cable should be used. Otherwise the lights may get progressively dimmer towards the end of the cable (resulting from a voltage drop).

Mounting the light

Prior to mounting the light disconnect the transformer from the powerpoint.

1. On the rear of the light is the mounting bracket which is secured to the light by two screws and two washers. Loosen and remove the screws and washers and remove the bracket from the light.
2. Place the bracket in the desired position (on the mounting surface), use a pen or pencil to make two marks through the holes in the bracket on the mounting surface.
3. Use a power drill and bit to drill two holes in the marked positions.
4. Secure the bracket using the two mounting screws, washers and plugs supplied. Do not use a power drill for this step.
5. Fix the light to the bracket by aligning the holes on the side of the light base and the bracket and then replacing the previously removed screws and washers.

CLEANING

- Before cleaning, ensure the transformer has been switched off and removed from the powerpoint.
- Care must be taken while cleaning to avoid scratching the fitting. A soft damp cloth, or a fine hair brush should be used with a non-abrasive cleaner.
- DO NOT use solvents, or abrasive cleaners on any part of your light.

CONTENTS

1 x Low Voltage LED Light CELED12WLB 2 x Screws
2 x Washers 2 x Plugs

PRODUCT WARRANTY

2 YEAR REPLACEMENT WARRANTY

Your Commercial Electric product is covered for a Period of 24 months from the **ORIGINAL Date of purchase.**

The Warranty covers faulty parts or workmanship.

The warranty is only made available by returning the product to your point of purchase with a **confirmed cash register receipt.**

PURCHASED FROM:

DATE OF PURCHASE:

THIS WARRANTY FORM SHOULD BE RETAINED BY THE CUSTOMER AT ALL TIMES.

WARNING

The following actions will result in the warranty being void:

- If the product has been operated on a supply voltage other than that specified on the unit.
- If the product shows signs of damage or defects caused by or resulting from abuse, accidents or alterations.
- If the product has been disassembled or tampered with in any way.

Note: Warranty excludes consumable parts such as tubes, globes, batteries and all accessories.

YOUR WARRANTY FORM SHOULD BE RETAINED BY YOU AT ALL TIMES.

SHOULD YOU HAVE ANY QUESTIONS PRIOR TO RETURNING YOUR PRODUCT FOR WARRANTY OR REPAIR PLEASE TELEPHONE OUR CUSTOMER SERVICE HELPLINE:

**Australia 1800 069 486
New Zealand 0508 069 486**

TO ENSURE A SPEEDY RESPONSE PLEASE HAVE THE MODEL NUMBER AND DATE OF PURCHASE AVAILABLE. A CUSTOMER SERVICE REPRESENTATIVE WILL TAKE YOUR CALL AND ANSWER ANY QUESTIONS YOU MAY HAVE RELATING TO THE WARRANTY POLICY OR PROCEDURE.

Commercial Electric

5 Chestnut Crt, Dingley, Vic, Australia, 3172

Telephone: 03 9558 3999

Facsimile: 03 9558 0583

www.commercialelectric.com.au