



Commercial
Electric

Swimming Pool Pump

1600W – 2.1Hp

Instruction Manual

Model No. CESPP1600WA



Caution: Please read this operation manual prior to using this electrical appliance. Please retain the instructions in a safe place for future reference.

2 Year Replacement Warranty

INTRODUCTION

Congratulations on purchasing the Commercial Electric 1600W Swimming Pool Pump. We aim to provide quality products at an affordable price. Before first using, it is most important that you read and follow the instructions in this manual, even if you feel you are quite familiar with this type of product.

This product has been designed for the circulation of water from pools & spas through filters and back into pools & spas.

SPECIFICATIONS

Input voltage:	230 - 240V~ 50Hz
Power:	1600W (2.1Hp)
No load speed:	2850 /min
Max. No load flow rating	26,000 litres p/hour
Max. Pressure:	300 kPa (3 Bar)
Working Pressure:	80 kPa (0.8 Bar)
Hmax:	15m
Hmin:	1m
Max. Water Temp:	35°C
Current Min. Water Temp	0°C
Inlet coupling:	48mm
Outlet coupling:	48mm
Coupling:	suits standard 40 & 50mm PVC pressure pipe
Max. particle size:	5mm
Weatherproof rating:	IPX5
Pool filter requirement:	2Hp (or greater)
Pump dimensions:	600L x 285W x 445H mm
Pump weight:	16.5kg

1. Filter cover
2. Discharge outlet
3. Name plate (rating label)
4. Fan cover
5. Mounting holes
6. Elevated base
7. Drain plug
8. Drain plug
9. Pump body
10. Suction inlet

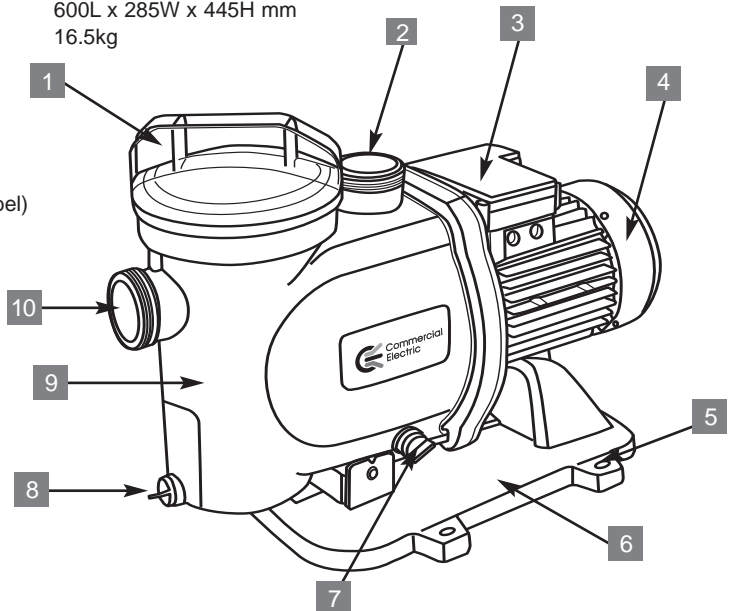


TABLE OF CONTENTS

SPECIFICATIONS - MODEL NO. CESPP1600WA	Page 2
INTRODUCTION.....	Page 2
TABLE OF CONTENTS.....	Page 3
SAFETY INSTRUCTIONS.....	Page 4
INSTALLATION OF PUMP.....	Page 4
INSTALLATION OF THE PIPES.....	Page 6
ELECTRICAL CONNECTION.....	Page 6
CHECKS BEFORE FIRST STARTING THE PUMP.....	Page 6
TROUBLE SHOOTING.....	Page 7
MAINTENANCE & SERVICING.....	Page 8
DESCRIPTION OF SYMBOLS.....	Page 9
CONTENTS	Page 9
WARRANTY.....	Page 10

SAFETY INSTRUCTIONS

Warning! This product is not suitable for use with drinking (potable) water.

Warning! When using mains-powered equipment, basic safety precautions, including the following, should always be followed to reduce the risk of fire, electrical shock, personal injury and material damage.

Read the whole manual carefully and make sure you understand the operating instructions prior to use.

Save these instructions for future reference.

ELECTRICAL SAFETY

The electric motor has been designed for 230V and 240V only. Always check that the power supply corresponds to the voltage on the rating plate.

Note: The supply of 230V and 240V on Commercial Electric tools are interchangeable for Australia and New Zealand.

This tool is earthed in accordance with AS/NZS 60335: 2002

Note: The Power Outlet used for the water pump is recommended to be protected by a 30mA residual current device or earth leakage circuit breaker.

If the power outlet is external, ensure that it is weather proof. If the supply cord is damaged, it must be replaced by an electrician or a power tool repairer to avoid a hazard.

The water pump has a built-in thermal protection overload switch. The water pump stops if an overload occurs. The motor restarts automatically after it has cooled down.

Using an extension lead

Always use an approved extension lead suitable for the power input of this product. Before use, inspect the extension lead for signs of damage, wear and ageing. Replace the extension lead if damaged or defective.

When using an extension lead on a reel, always unwind the lead completely. Use of an extension lead not suitable for the power input of this product or which is damaged or defective may result in a risk of fire and electric shock.

ADDITIONAL SAFETY INSTRUCTIONS FOR SWIMMING POOL PUMPS

This product is intended for pumping water in a Home Domestic application. Do not use it for corrosive, abrasive, explosive or dangerous liquids. Fluids other than water will damage the water pump and/or create a fire hazard.

This appliance is not intended for use by persons (including children) with reduced physical, sensory or mental capabilities, or lack of experience and knowledge, unless they have been given supervision or instruction concerning use of the appliance by a person responsible for their safety.

Young children should be supervised to ensure that they do not play with the appliance.

- Do not install or operate the water pump in an explosive environment or near flammable material.
- Do not operate the water pump without liquid.
- Do not run the water pump dry.
- Do not mount the water pump vertically.
- Ensure the water pump is disconnected from mains power when installing.

Warning! The water pump together with associated pipework operate under pressure. Do not disconnect water pump or pipework until internal pressure has been released. Failure to do this could result in personal injury and damage to property.

- Protect water pump and all pipes and hoses from adverse weather or freezing conditions.
- Avoid inserting hands into the inlets/outlets of the water pump while it is connected to mains power.
- Ensure that the motor is well ventilated.
- The site of the installation must be stable and dry to guarantee the stability of the water pump.
- Before using the water pump, always inspect it visually. Do not use the pump if it is damaged. If the water pump is damaged, have it checked by an electrician or a qualified plumber.
- The water pump has a built-in thermal protection overload switch. The water pump stops if an overload occurs. The motor restarts automatically after it has cooled down.

INSTALLATION OF THE PUMP

The pump is usually installed between the skimmer and the pool filter. Positioned as close as possible to the water level which will minimise the suction distance and reduce head (pumping pressure) losses.

When connecting piping to the pump be mindful of the fact that the flow of litres per minute will decrease with every metre of pipe. Ideally the pool volume should be turned over at least once a day. See the table below.

Warning! A pool filter must be used in conjunction with Commercial Electric Pool Pump. The pool filter used must be compatible with a 2Hp (or greater) pump. Using a pool filter rated at less than 2Hp, will result in serious damage to the filter. It could also result in possible personal harm and/or material damage.

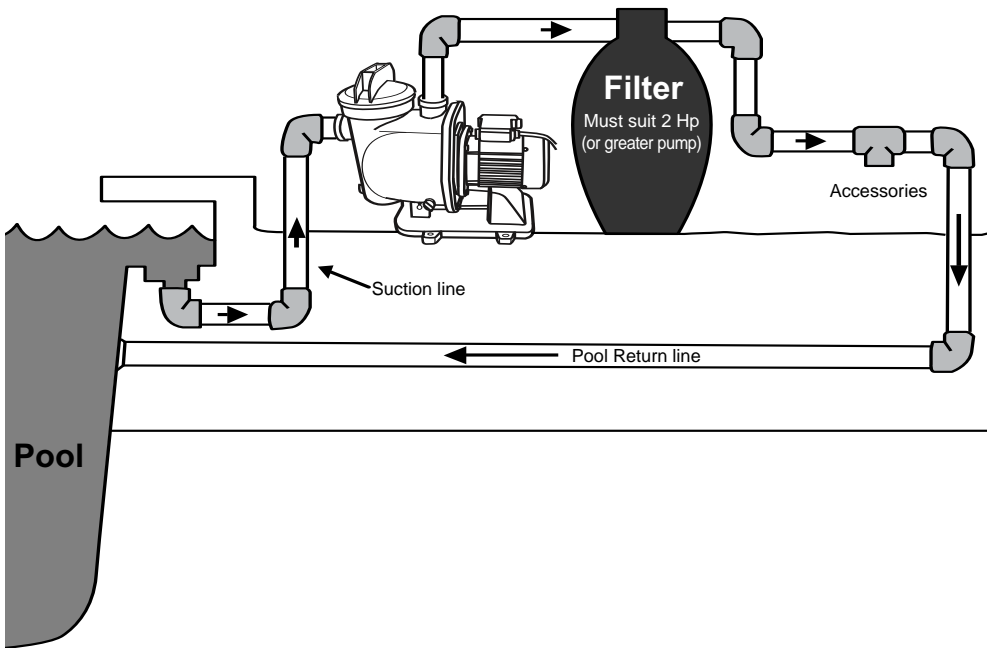
INSTALLATION OF THE PUMP (CONT.)

Discharge head in metres												
1	2	4	5	7	9	10	11	12	13	14	15	
Flow litres per minute												
455	442	415	383	337	291	241	218	185	146	52	0	

The pump must be mounted on a firm base and can be bolted to the mounting surface through the holes in the base.

Make sure the transparent filter cover is accessible so it can be removed (along with the filter basket) for cleaning.

It is advisable to have the water pump housed in a position protected from the elements, dust, pests or anything that would adversely affect the efficiency and safety of operation of the pump.



INSTALLATION OF THE PIPES

The standard delivery and suction PVC pipes used are 40 & 50mm. Fittings are included for connection to both 40 or 50mm pipes.

Ensure care is taken not to damage water pump or threads when connecting pipes.

Support inlet and outlet pipes to avoid damaging water pump and/or threads.

The couplings and coupling nuts allow for fitment to both 40 & 50mm standard Australian PVC pipe.

The inner side of the couplings allow 40mm PVC pipes to be fitted to the insides of the couplings.

The outer side of the couplings allow 50mm PVC pipes to be fitted over the outsides of the couplings.

Whether you are fitting 40 or 50mm PVC pipe to the pump, both sizes should be used in conjunction with PVC glue to ensure a water tight fit.

Clean both the pipe & coupling with PVC pipe primer (available from Bunnings) then apply glue to the touching sides of both the PVC pipe & coupling. Now push them together.

The delivery and suction pipes must not under any circumstances induce mechanical loads on the pump.

Do not operate the pump for at least 24 hours. Ensure the connections have time set before running the pump. Please check the glue's manufacturers recommended drying time.

It is recommended to install suction and delivery valves in order to isolate the pump.

The use of gate valves, in-line filters and non-return valves is recommended for optimum performance. These are standard accessories and are available from Bunnings Warehouse and pool pump retailers.

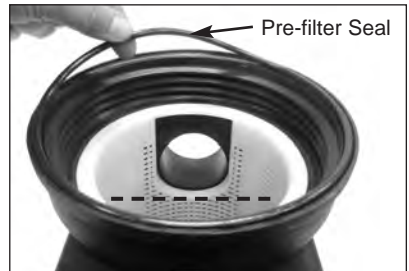
ELECTRICAL CONNECTION

Commercial Electric recommends the power outlet to be used for the water pump, be protected by a 30mA residual current device or earth leakage circuit breaker.

Never work or perform maintenance on the pump without first making sure it has been disconnected from the power supply.

CHECKS BEFORE FIRST STARTING THE PUMP

1. Only connect the pump power cord to a 230 - 240V mains power supply.
2. Unscrew the transparent filter cover and fill the pump with water up to the lower level of the suction pipe (lower level indicated by dashed line in the image to the right).
3. Screw the transparent filter cover back in place ensuring the filter cover seal is in place (shown in image to the right).
4. If the motor does not start, or if no water is extracted, refer to the trouble shooting table of possible failures and solutions on the following pages.
5. NEVER OPERATE THIE PUMP WITHOUT WATER having been filled as per step 2. Operating without water will cause damage to the motor and void the warranty.



STARTING THE PUMP

1. After filling the pump with water, open all the suction and delivery valves and start the motor by connecting the power cord up to an active mains supply (power-point).
2. Wait for self-priming to take place. The water level in the pump will rise towards the transparent filter cover. It is correctly primed when the water level is just below this cover.

TROUBLE SHOOTING

Possible faults

1. Pump does not prime
2. Low flow rate
3. Pump makes loud noise
4. Pump does not start
5. Motor makes noise but does not start pumping water

POSSIBLE FAULTS					CAUSES	SOLUTIONS
1	2	3	4	5		
X	X				Air leak	Verify sealing of connectors and seals
X					Bad sealing filter of cover	Clean the filter cover and verify the seals
X	X				Excessive suction height	Set pump at a suitable level
X	X		X		Incorrect voltage	Verify the voltage specified on the nameplate and that of the mains
X					No water in prefilter	Fit prefilter with water
	X				Filter clogged	Clean filter
	X				Discharge clogged	Inspect filter and discharged line
		X			Incorrect pump attachment	Attach pump correctly
		X			Debris in filter basket	Clean pump and inspect the filter
			X		No power	Reset the fuses
				X	Motor blocked	Call the technical service

MAINTENANCE & SERVICING


The filter basket should be cleaned periodically.

1. Disconnect the pump from the power supply (by switching off at the powerpoint removing the power cord plug).
2. Close the suction and delivery valves.
3. Open and remove the transparent filter cover.
4. Remove the filter basket from the pump.
5. Clean the filter basket thoroughly.
6. Return the filter basket into the pump.
7. Examine the filter covers seal and replace if damaged.
8. Return the filter cover and screw tight to seal.
9. Re-connect pump up to the power supply (connect to and switch on, at the powerpoint).
10. Replacement filter cover seals and inlet/outlet coupling seals are available through your local Bunnings special orders desk. These seals are consumable, wearing components and will wear with time. These seals are not covered under warranty.

CONTENTS

- 1 x Swimming pool pump CESPP1600WA
- 2 x Couplings & nuts
- 1 x Filter basket (inside pump)
- 2 x Inlet/Outlet O-ring seals (smaller seals)
- 1 x Filter cover O-ring seal (larger seal)
- 1 x Instruction Manual

DESCRIPTIONS OF SYMBOLS USED

V	Volts	Hz	Hertz
~	Alternating current	W	Watts
/min	Revolutions or reciprocation per minute	n_o	No load speed
Hp	Horse power	°C	Degrees centigrade
p/hr	Per hour	kPa	Pressure rating (kilopascals)
BAR	Pressure rating	IPX5	Water/Dust proof rating
F	Insulation class	PVC	Polyvinyl chloride
	Regulator compliance mark		

PRODUCT WARRANTY

2 YEAR REPLACEMENT WARRANTY

Your Commercial Electric product is covered for a Period of 24 months from the ORIGINAL Date of purchase and is intended for home use only.

The Warranty covers faulty parts or workmanship.

The warranty is only made available by returning the product to your point of purchase with a confirmed cash register receipt.

PURCHASED FROM:

DATE OF PURCHASE:

THIS WARRANTY FORM SHOULD BE RETAINED BY THE CUSTOMER AT ALL TIMES.

WARNING

The following actions will result in the warranty being void:

- If the product has been operated on a supply voltage other than specified in this manual and on the products rating label.
- If the product shows signs of damage or defects caused by or resulting from abuse, accidents or alterations.
- If the product has been disassembled or tampered with in any way (other than directions specified in this operation manual).

Note: Warranty excludes consumable parts such as drain caps, filter cover O-ring seal (for filter cover), inlet/outlet O-ring seals, filter baskets, priming plugs and all accessories.

**YOUR WARRANTY FORM SHOULD BE RETAINED BY YOU
AT ALL TIMES.**

**SHOULD YOU HAVE ANY QUESTIONS PRIOR TO RETURNING
YOUR PRODUCT FOR WARRANTY OR REPAIR PLEASE
TELEPHONE OUR CUSTOMER SERVICE HELPLINE:**

**Australia 1800 069 486
New Zealand 0508 069 486**

TO ENSURE A SPEEDY RESPONSE PLEASE HAVE THE MODEL NUMBER AND DATE OF PURCHASE AVAILABLE. A CUSTOMER SERVICE REPRESENTATIVE WILL TAKE YOUR CALL AND ANSWER ANY QUESTIONS YOU MAY HAVE RELATING TO THE WARRANTY POLICY OR PROCEDURE.

Commercial Electric

1-23 Letcon Drive, Bangholme, Victoria, Australia 3175

Telephone: 1800 069 486

Website: www.commercialelectric.com.au

Email: sales@commercialelectric.com.au